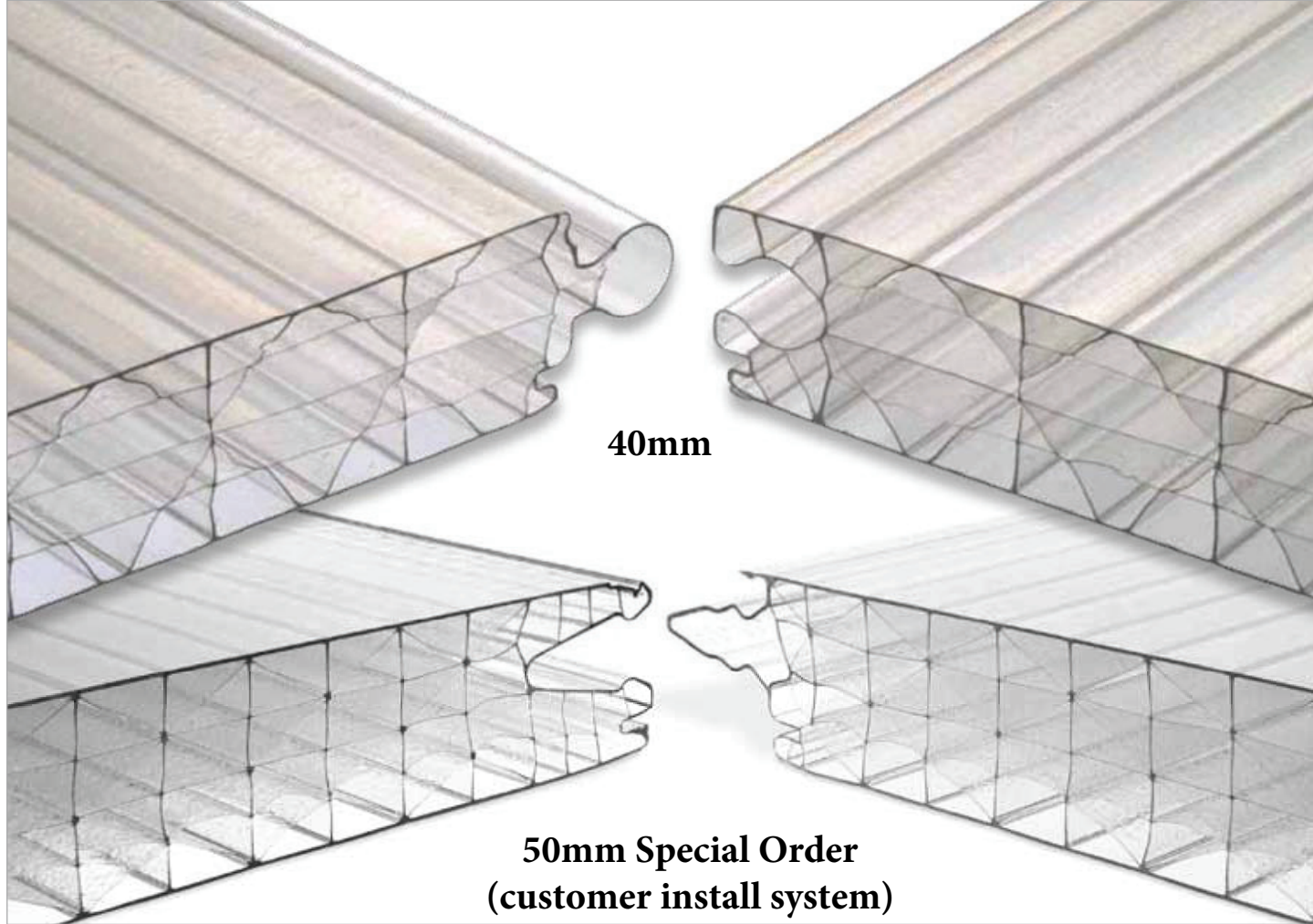




Specialty Film & Sheet



## High Energy Efficiency & Creative Design

The New and Innovative Lexan Thermoclick Sheet

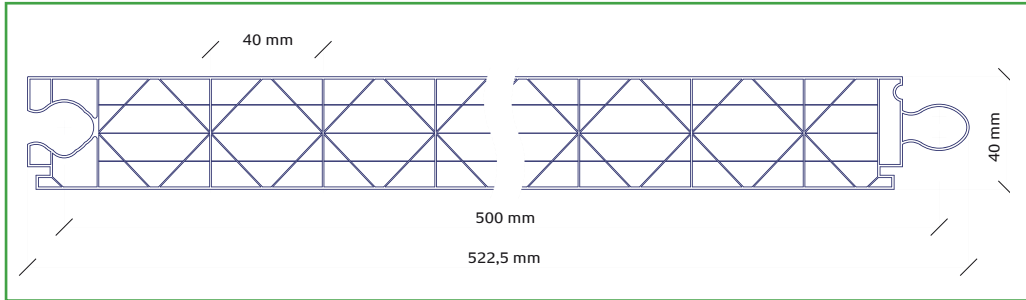
System in 40 mm Thickness

Cladding and facades have an important influence on the character of a building. The cost of heating and cooling is reaching new levels, causing builders to look for new alternatives to increase energy efficiency. To address this concern, SABIC Innovative Plastics has developed a new Lexan\* Thermoclear\* sheet system in 40 thickness. These products are an excellent candidate for applications such as cladding and facades of residences, commercial buildings, shopping centers, office buildings, and factories. These new systems can not only help customers reduce heating and cooling costs, but also cut energy usage and CO2 emissions to benefit the environment.

SABIC Innovative Plastics' high-performance Lexan Thermoclick sheet products give the building and construction industry new ways to meet demands for increased energy efficiency in living and working environments. Also these new products allow designs that are visually striking and yet extremely practical. Furthermore, the low maintenance end product will help to resist rust, rot or warp. Installation costs may be kept low as each product is designed using custom-made configurations for fast on-site assembly. A 10-year limited written warranty is given against loss of light transmission, discoloration and breakage.



Lexan\* Thermoclick\* sheet in 40 mm offering improved U-value



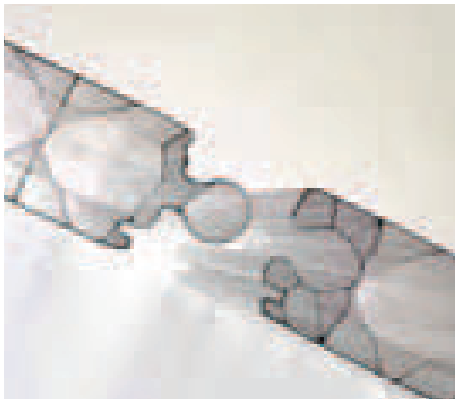
## Lexan\* Thermoclick\* sheet in 40 mm thickness 19.68" Wide

With specially designed tongue and groove connection, Lexan\* Thermoclick\* sheet in 40 mm thickness [LTC404X4000] offers high impact resistance and very high thermal insulation leading to energy saving. This inter-connecting system including a groove for double-sided tie on the inside eliminates the need for vertical profiles, thereby saving costs and enhancing aesthetics. Also improved fix-key section connection provides better loading performance compared to previous design.

Lexan\* Thermoclick\* sheet in 40 mm [LTC404X4000] offers

- Unique 5-wall with X-structure
- UV protected outer surface
- Good light transmission and light diffusion characteristics
- **Improved-loading performance**
- **Excellent thermal insulation of 4.47 R-Value**
- High impact strength
- 10-year limited written warranty against long-term weathering conditions
- Fast and easy installation
- Wide range of colors and aesthetic effects

IN STOCK: Clear, Opal & Blue



Initial Special Color Orders - Full Containers Only  
(38.7 ft sheets only)  
40mm - 200 Sheets (12,696 sq. ft.)

40mm Aluminum Install System Available